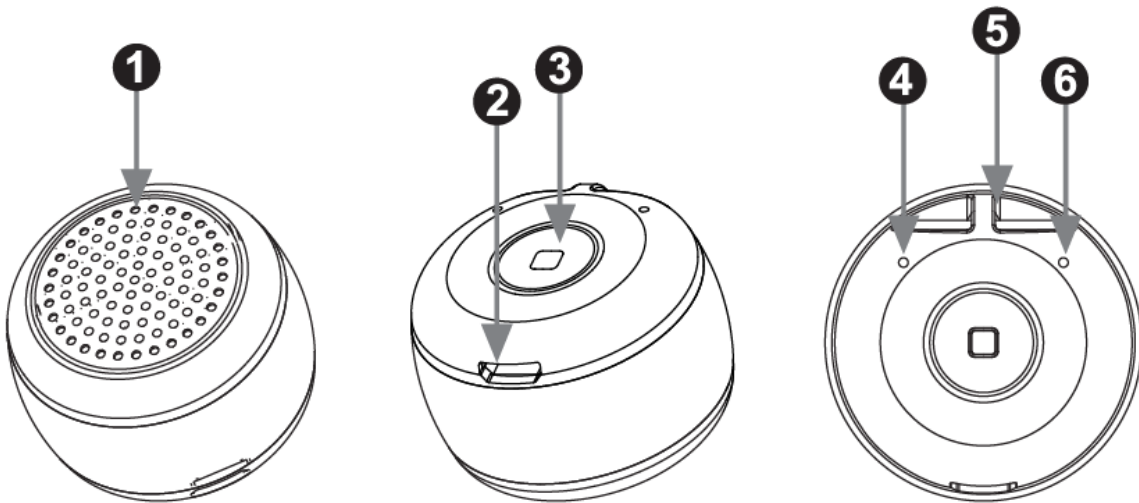


## Mini Wireless Bluetooth Speaker User Manual



- 1. Speaker
- 2. Micro USB Socket
- 3. Main Button

- 4. LED Indicator
- 5. Power Cord Socket
- 6. Microphone

## **Charging the Battery**

1. Insert the charging cable into the Micro USB input port and connect the USB plug into a 5V/300mAh USB power terminal (computer, powerbank or otherwise). The LED indicator will turn red when the device is charging.
2. After charging is complete, the red LED indicator will turn off.

Note: If the speaker's sound becomes soft and you hear a warning beep, it is time to charge the speaker.

## **Bluetooth Pairing for Music/Phone Calls/Remote Camera**

1. Turn on the speaker by holding the Main Button for 3 seconds. The LED indicator will start flashing blue and a voice prompt will indicate that Bluetooth pairing is ready.
2. Activate your phone or other device's Bluetooth function.
3. Search and connect to the Bluetooth speaker, named "INSIQBS1". Once the two devices are connected, a voice prompt will indicate a successful connection and the LED indicator will remain blue.
4. To turn off the speaker, hold the Main Button for 4 seconds. The speaker will also turn off automatically after 5 minutes when it is disconnected.

In addition to playing music, the Bluetooth speaker can be used to answer phone calls by clicking the Main Button once or clicking twice to take photos, while the respective application is active.

## Notes and Troubleshooting

1. If you are unable to take a photo using the speaker, for Android, open “Setting” > “Camera” then set “Volume Key” to “Settings”. For Apple IOS, refresh the Bluetooth connection, or restart the application.
2. If you can’t play music, refresh the Bluetooth connection.
3. While music is being played, the Main Button can be pressed to increase the volume.

## Specifications

<b>Model</b>	INSIQBS1	<b>S/N</b>	> 90DB
<b>Product Size</b>	35.6 x 25mm	<b>THD</b>	< 1%
<b>Bluetooth Version</b>	4.2	<b>Transmit Frequency</b>	150-16KHZ
<b>Bluetooth Distance</b>	10m	<b>Music Playing Time</b>	~ 120 min
<b>Power Output Rating</b>	1W	<b>Speaker Parameter</b>	4Ω2W
<b>Charging Voltage</b>	DC 5V	<b>Speaker Diameter</b>	30mm
<b>Operating Voltage</b>	DC 3.3V ~ 4.2V	<b>Battery</b>	3.7V / 140mAh

## INSIQ, LLC

Website: <https://www.insiqinc.com>

For any inquiries or concerns, please don't hesitate to contact us at [info@insiqinc.com](mailto:info@insiqinc.com)